



3G-BEAM

Miniature Fiber Optic 3G-SDI
Digital Video Extender

Miniature Fiber Optic 3G-SDI Digital Video Extender

“SMPTE-424M 3G-SDI”

“SMPTE-292M HD-SDI”

“SMPTE-259M SDI”

“DVB-ASI”

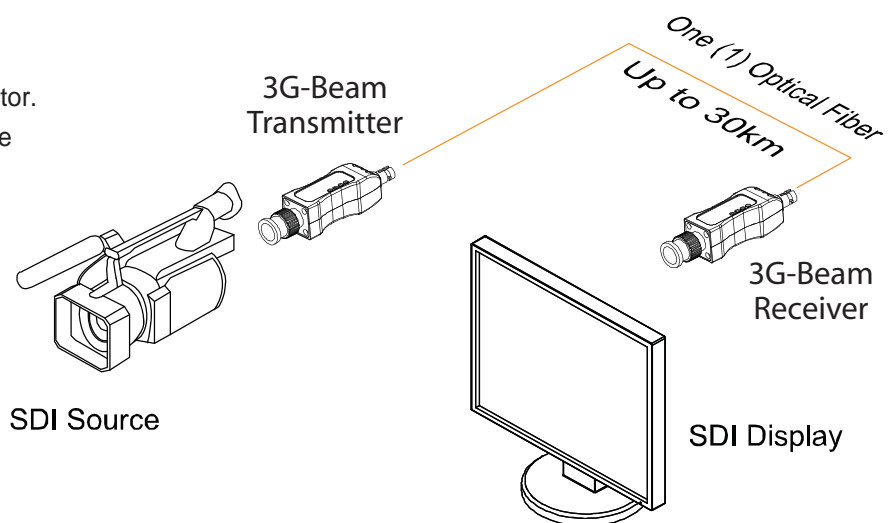


DESCRIPTIONS

The PMD 3G-SDI extender 3G-Beam is a miniature, Fiber Optic 3G-SDI Digital Video Transport System, supporting the new 1080p, 3G-SDI format. The 3G-Beam is designed to transport one(1) channel SMPTE-424M 3GSDI, SMPTE-292M HD-SDI or SMPTE-259M serial digital video signal over long distance through either single-mode or multi-mode fiber with the same model. Due to the use of advanced digital fiber optic transmission technology, no user adjustments are required in the Mini 3G-SDI extender system, enabling quick setup and troublefree operation. The 3G-Beam series can handle SDI, DVBASI, HD-SDI, 3G-SDI, and many other video formats. The power connector has a latch-locking mechanism, thus no power disruption due to miss-handling problem. The 3G-Beam series comes with a rugged, standalone, miniature unit.

KEY FEATURES

- Supports up to 3G-SDI.
- Offers re-clocker included model SDIX-100C as an option.
- Extends up to 30km @3G.
- Transports Multi-rate HD-SDI Digital Video over 1 Fiber.
- Latch-Locking Power Connector.
- HD-SDI BNC input connector and ST terminated fiber optical connector.
- Robust metal die-casting enclosure for harsh environment.



2011-03

Ein Vertriebsprodukt von:

VIDELCO – Professionelle Audio-, Video-, Medien-Technik!

Telefon: +49 (0)2102 / 86 39-00 • Fax: +49 (0)2102 / 86 39-17 • info@videlco.eu • www.videlco.eu


VIDELCO
Europe Limited



3G-BEAM

Miniature Fiber Optic 3G-SDI
Digital Video Extender

OPTICAL

Fiber Type	Single-mode and Multi-mode
Number of Fibers	1
Output Connector	ST (Single-mode and Multi-mode)
Power Budget	Min. 11dB
Distance	30km @3G

PHYSICAL

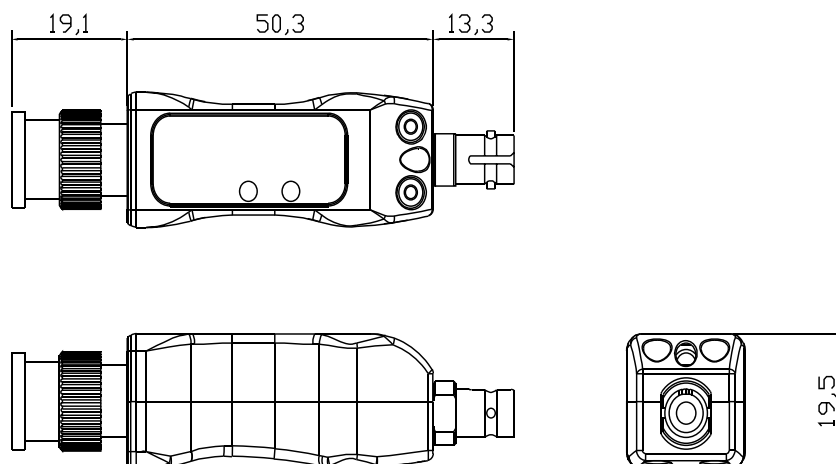
Dimension (H x W x D)	19.5 x 19.5 x 50.7(mm)
Power Level	+5 VDC @ 1.5 A
Operating Temperature	-20 ~ 70 °C
Humidity	0 to 95% RH, non-condensing

DIGITAL VIDEO

Signal Format	SMPTE-424M 3G-SDI SMPTE-292M HD-SDI SMPTE-259M SDI and many others
Input Connector	75 Ohm SDI BNC
Data Rate	3 Gbps
Signal Level	800mVp-p +/- 50mV



DRAWING Dimension [mm]



2011-03

Ein Vertriebsprodukt von:

VIDELCO – Professionelle Audio-, Video-, Medien-Technik!

Telefon: +49 (0)2102 / 86 39-00 • Fax: +49 (0)2102 / 86 39-17 • info@videlco.eu • www.videlco.eu

